



## GREEN MAGNETIK DOO.

May the magnetic force be with you!

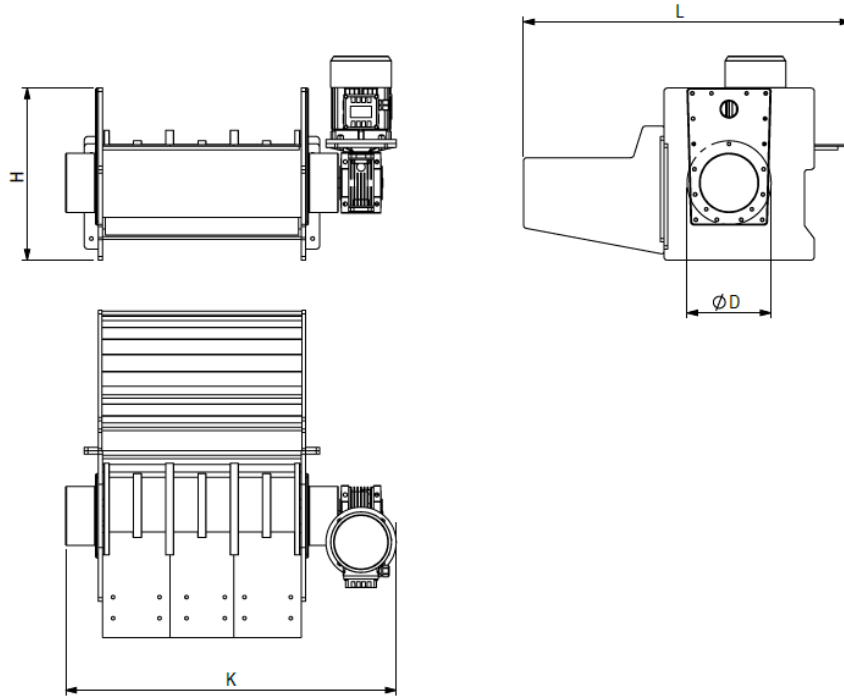
24000 Subotica, Blaha Lujze 23.

Tel.: +381 (0)63-198-03-59

E-mail: office@greenmagnetik.rs

www.greenmagnetik.rs

### Data sheet FS - Emulsion / liquid cleaner



Name	Material capacity (l/h)	Weight (kg)	Dimension (mm)				Number of magnetic rods
			K	L	D	H	
FS-100-Y	150-300	120	450-900	750	100	500	3-10
FS-200-Y	150-300	210	450-900	850	200	500	3-10
FS-300-Y	200-400	300	450-900	950	300	550	3-10
FS-400-Y	250-450	390	450-900	1050	400	600	3-10

Parameters	Value
Description of the metal separator:	Self-cleaning, mainly for cleaning and recycling emulsions used in the metalworking industry, but also suitable for other liquids
Area of use:	for liquid materials
Built-in magnet type:	Ferrit Y35 magnet
Maximum magnetic induction (Gaus) on the magnetic rods (+/- 10%):	4200 Gaus
Magnetic force on the magnetic core (+/- 10%):	4800 Gaus
The standard connection:	fluid flows freely into the back of the metal separator, but any connection method is possible
The smallest metal contaminant that the metal separator can catch:	1 mm
The largest metal contaminant that the metal separator can catch:	30 mm
Maximum operating temperature:	120 (°C)
Suitable for vacuum or pressure transport:	no
Suitable for the selection of non-metallic materials:	no
Standard installation requirements:	power supply (415 V - 400V - 380V, 50Hz)
Cleaning of the metal separator:	cleaning is fully automatic, no need to stop the material flow
The metal separator is made out of:	AISI304 (DIN 1.4301) and / or iron
Exterior surface treatment:	painted, matt
Internal surface treatment:	painted, matt
Maximum operating time:	24 h/day
Operation parameters:	On / off switch
It can be combined with:	FS-E separator
Warrantee:	12 month

**In addition to above, the metal selectors are available in other sizes with higher temperature resistant magnets. The material capacity is relativ, it depends on the material type.**